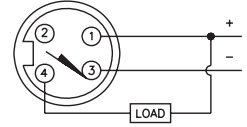
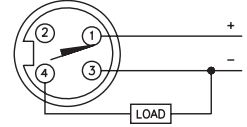
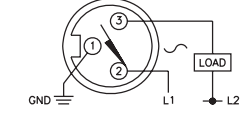
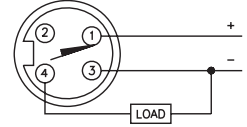
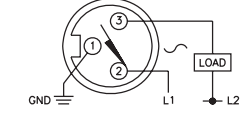


# Inductive Sensors

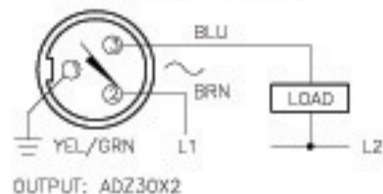


Housing Style	Part Number	ID Number	Features	Sensing Range (mm)	Output
<b>30 mm - Nonembeddable, minifast® Connection, Teflon Coated</b> 	Ni20U-GT30-ADZ30X2-B1131	M4281822		20	2-Wire AC/DC Short-Circuit Protected
<b>30 mm - Nonembeddable, Right Angle minifast Connection</b> 	Ni15-G30-AN6X-B1441	T4695590		15	3-Wire DC NPN
	Ni15-G30-AP6X-B1441	T4697000		15	3-Wire DC PNP
<b>30 mm - Nonembeddable, minifast Right Angle Connection</b> 	Ni15-G30-AZ3X-B1431	T4372700		15	2-Wire AC/DC

Voltage	Switching Freq. (Hz)	Operating Current (mA) AC/DC	Operating Temp. (°C)	Protection	Housing	Face	Power LED	Output LED	Mating Cordset	Wiring Diagram #	Wiring Diagrams
20-250 VAC 10-300 VDC	20	≤400/300	-30 to +85	IP 67	TC	TC	GN	YE	RKM 30-*M	3	<p><b>Diagram 1</b></p>  <p><b>Diagram 2</b></p>  <p><b>Diagram 3</b></p> 
10-30 VDC	500	≤200	-25 to +70	IP 67	CPB	PA 12	N/A	YE	RKM 40-*M	1	<p><b>Diagram 2</b></p> 
10-30 VDC	500	≤200	-25 to +70	IP 67	CPB	PA 12	N/A	YE	RKM 40-*M	2	<p><b>Diagram 3</b></p> 
20-250 VAC 10-300 VDC	20	≤400/300	-25 to +70	IP 67	CPB	PA 12	N/A	RD	RKM 30-*M	3	

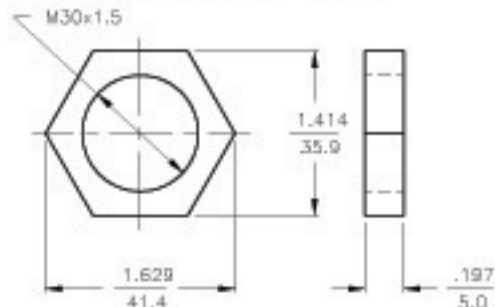
\* Length in meters.

### WIRING DIAGRAMS



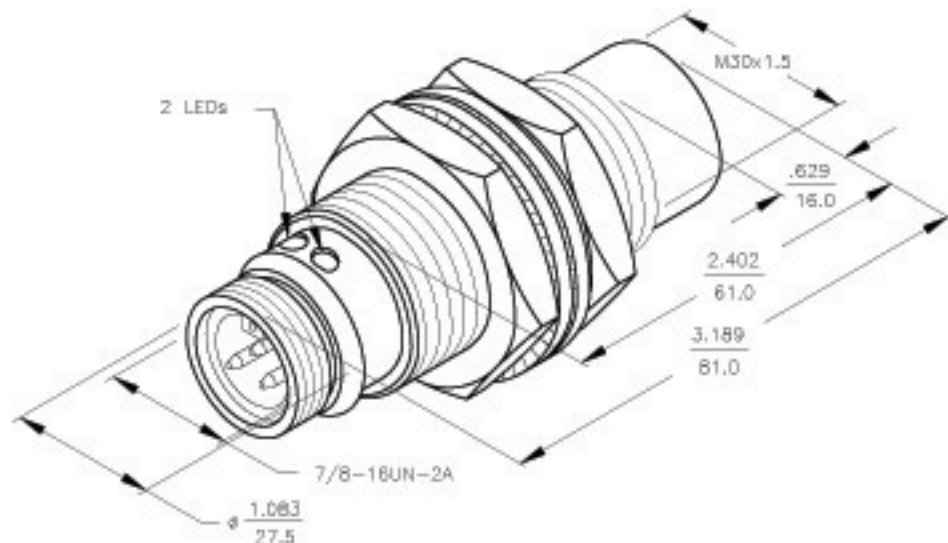
SHORT-CIRCUIT AND OVERLOAD PROTECTED

### LOCKNUT LN-MT30



### SPECIFICATIONS

OPERATING VOLTAGE	20-250 VAC 10-300 VDC
LINE FREQUENCY	40-60 Hz
DIFFERENTIAL TRAVEL (HYSTERESIS)	3-15% (5% TYPICAL)
VOLTAGE DROP ACROSS CONDUCTING SENSOR	≤6.0 V at 400 mA
OUTPUT FUNCTION	NORMALLY OPEN 2-WIRE AC/DC SELF-CONTAINED
SHORT-CIRCUIT PROTECTED	YES
TRIGGER CURRENT FOR OVERLOAD PROTECTION	≥440 mA
CONTINUOUS LOAD CURRENT	400 mA AC 300 mA DC
OFF-STATE (LEAKAGE) CURRENT	≤1.7 mA
MINIMUM LOAD CURRENT	≥3.0 mA
INRUSH CURRENT	≤4.0 A (≤20 ms/5 Hz)
TIME DELAY BEFORE AVAILABILITY	≤120 ms
POWER-ON EFFECT PROTECTION	INCORPORATED
PROTECTION AGAINST TRANSIENTS	YES
OPERATING TEMPERATURE	-20°C to +70°C (±10% DRIFT) -30°C to +85°C (±15% DRIFT)
ENCLOSURE	MEETS NEMA 1, 3, 4, 6, 13 AND IEC IP 67
SHOCK	30 g, 11 ms
VIBRATION	55 Hz, 1 mm AMPLITUDE (IN ALL 3 PLANES)
LED FUNCTION	GREEN = POWER ON GREEN FLASHING = SHORT-CIRCUIT WARNING YELLOW = OUTPUT EMERGIZED
RATED OPERATING DISTANCE(S <sub>n</sub> )	20 mm = .787" (NOMINAL)
SWITCHING FREQUENCY	60 Hz
REPEATABILITY	≤2% OF RATED OPERATING DISTANCE
EMBEDDABLE (SHIELDED)	NO
MATING PLUGS/CABLES	3-PIN "MINIFAST" CONSTRUCTION



#### NOTES:

1. WELD FIELD IMMUNE. SENSORS IS SUITABLE FOR USE ON RESISTANCE WELDING MACHINES.
2. MATERIALS:  
TEFLON COATED BRASS BARREL.  
CHROME PLATED BRASS CONNECTOR.  
TEFLON COATED BRASS LOCKNUTS.  
BLACK CHROMATED STEEL LOCKWASHERS.  
TEFLON COATED PA 12-GF30 PLASTIC SENSING FACE.

RELATED DOCUMENTS	3RD ANGLE PROJECTION	THIS DRAWING IS PROPERTY OF TURCK INC. USE OF THIS DOCUMENT WITHOUT WRITTEN PERMISSION IS PROHIBITED.		 High Technology Sensors and Automation Controls	
1. 2. 3. 4.		DRFT	IK	DATE 12-30-96	DESCRIPTION
MATERIAL	TOLERANCES UNLESS OTHERWISE SPECIFIED	USDR	SCALE NONE		Ni20U-GT3D-ADZ30X2-B1131
FINISH	.X ±0.02 .XX ±0.01 .XXX ±0.005 ANGLES ±1° ALL MILLIMETER DIMENSIONS ARE REFERENCE ONLY	UNIT OF MEASUREMENT <b>INCH [ MILLIMETER ]</b>		IDENTIFICATION NO.	REV
COPPER/NICKEL/ CHROME PLATING		DO NOT SCALE THIS DRAWING		M4281822	A
A DRAWING RELEASE	RDS 09/13/02	FILE: M4281822		SHEET 1 OF 1	
REV DESCRIPTION	BY DATE EDD NO.				